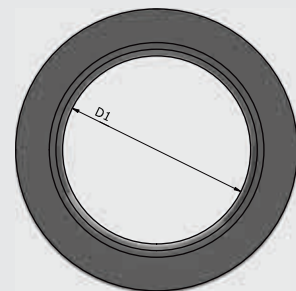
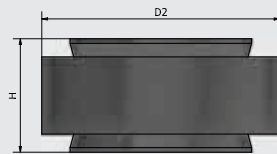
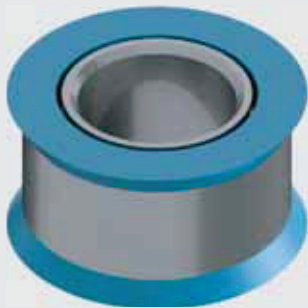




## DH LASS BUS SPACERS



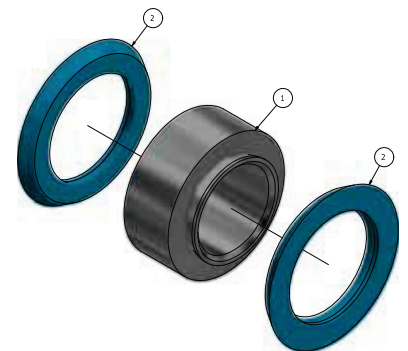
Bearing type	Spacer type	QTY	Hygienic ring	D1	D2	H
DHLASS F 204	DHLASS BUS 11 18 10	4	DHRGS 16	11	18	10
DHLASS F 205	DHLASS BUS 11 18 10		DHRGS 16	11	18	10
DHLASS F 206	DHLASS BUS 11 18 10		DHRGS 16	11	18	10
DHLASS F 207	DHLASS BUS 11 18 10		DHRGS 16	11	18	10
DHLASS F 208	DHLASS BUS 14 21 10		DHRGS 19	14	21	10
DHLASS F 209	DHLASS BUS 16 23 10		DHRGS 21	16	23	10
DHLASS F 210	DHLASS BUS 16 23 10		DHRGS 21	16	23	10

DHLASS FL 204	DHLASS BUS 13 20 10	2	DHRGS 18	13	20	10
DHLASS FL 205	DHLASS BUS 16 23 10		DHRGS 21	16	23	10
DHLASS FL 206	DHLASS BUS 16 23 10		DHRGS 21	16	23	10
DHLASS FL 207	DHLASS BUS 16 23 10		DHRGS 21	16	23	10
DHLASS FL 208	DHLASS BUS 16 23 10		DHRGS 21	16	23	10
DHLASS FL 209	DHLASS BUS 19 26 10		DHRGS 24	19	26	10
DHLASS FL 210	DHLASS BUS 19 26 10		DHRGS 24	19	26	10

DHLASS FB 204	DHLASS BUS 10 17 10	3	DHRGS 15	10	17	10
DHLASS FB 205	DHLASS BUS 10 17 10		DHRGS 15	10	17	10
DHLASS FB 206	DHLASS BUS 10 17 10		DHRGS 15	10	17	10
DHLASS FB 207	DHLASS BUS 13 20 10		DHRGS 18	13	20	10
DHLASS FB 208	DHLASS BUS 13 20 10		DHRGS 18	13	20	10
DHLASS FB 209	DHLASS BUS 13 20 10		DHRGS 18	13	20	10
DHLASS FB 210	DHLASS BUS 13 20 10		DHRGS 18	13	20	10



Hygienic seal  
\*2 seals per spacer



Number	Part
1	Spacer
2	DHRGS Ring



# INSTALLATION GUIDE

Bearing size	DH LASS	DH LASS	DH LASS
	F	FL	FB
	G		
204	15	11	8
205	15	13	9,5
206	15	13	9,5
207	17	15	12,7
208	17	15	15,9
209	18	16	18,3
210	20	16	12,7

Bearing size	DH LASS	DH LASS	DH LASS
	F	FL	FB
	B / N		
204	M10	M10	M8
205	M10	M14	M8
206	M10	M14	M8
207	M10	M14	M12
208	M12	M14	M10
209	M14	M18	M10
210	M14	M18	M12

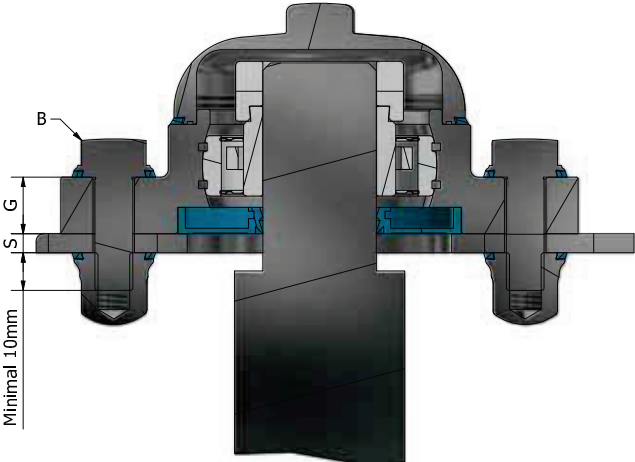
Bearing size	DH LASS	DH LASS	DH LASS
	F	FL	FB
	L		
204	10	10	10
205	10	10	10
206	10	10	10
207	10	10	10
208	10	10	10
209	10	10	10
210	10	10	10

For bolts and nuts see .....

For spacers see page 10

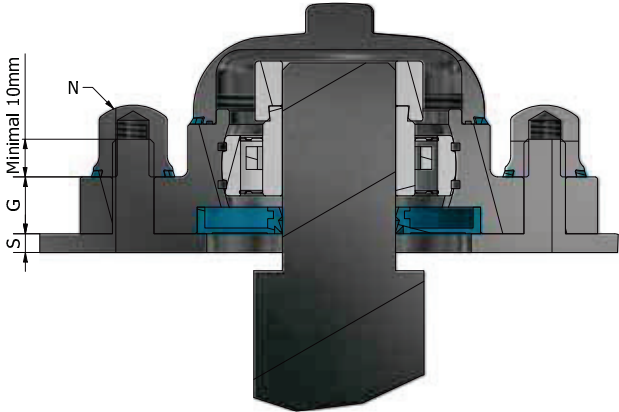
**Bolt + nut configuration**

Bolt length = 10 + S + G



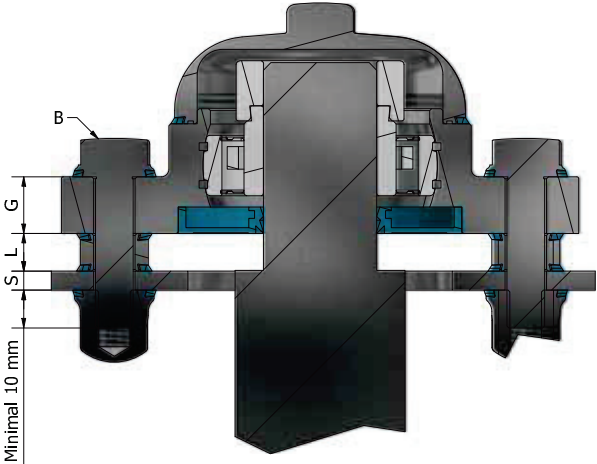
**Threaded rod + nut configuration**

Rod length = 10 + G



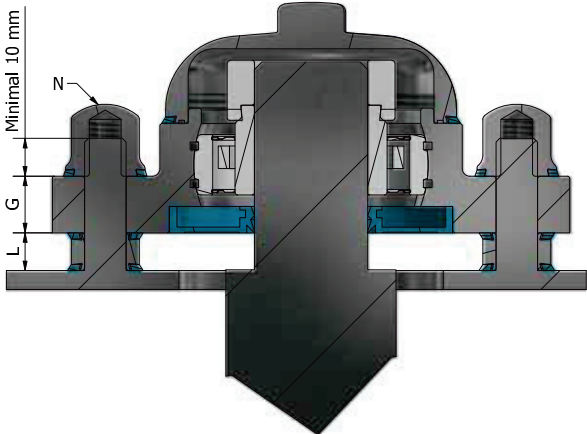
**Bolt + spacer + nut configuration**

Bolt length = 10 + S + L + G



**Threaded rod + spacer + nut configuration**

Rod length = 10 + G + L



All sizes in mm